



Hahn Rollenband G



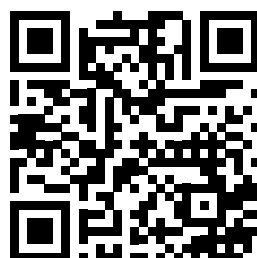
The Hahn Rollenband G combines the quickness of clamp hinges with the security of tight screw connections.

The patented two-piece clamping blocks are used on the frame side. These have the advantage that door installers can insert them into the section at any time to allow for installing the hinge blade of the frame on them. On the door itself, sophisticated self-drilling screws provide firm support for the hinge blade. Both fastening elements make it exceptionally easy for the retroactive installation of hinges to subsequently support the elements or repair an already installed door.

Greater comfort in elegant design

The shadow groove can be adjusted by ± 1.5 mm in 0.5 mm steps by using spacer plates. This is implemented without any misalignment of the hinge, thus preserving the elegant appearance of the hinge. The height of the door can be adjusted by using accessories. Like almost every Hahn hinge, the Hahn Rollenband G is made of extruded aluminium. This material is especially well suited to withstand both pressure and tensile forces. The 12mm gauge pin is made of steel and is able to withstand every load. As a result, stability and long life are merged together to define the high quality that is typical for Hahn hinges.

Butt hinge for light-weight aluminium doors



Wide range of colour schemes

When it comes to colour schemes, architects and building owners can choose from a wide variety of colour variations. In addition to anodised surfaces, the hinge is also available in all RAL colours and as coated hinges. The door hinge is also visually appealing thanks to its discreet curl of 20 mm diameter.

Certified for high loads

Depending on the type and design of the door/ frame combination, the Hahn Rollenband G is able to handle doors weighing up to 120 kg.

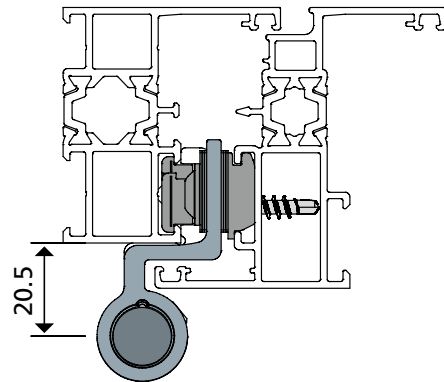
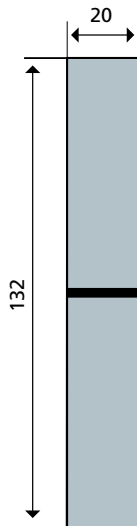
The Hahn Rollenband G is a system-adapted hinge that has been developed in close co-operation with frame manufacturers. Different profile combinations require special solutions. To help us process your enquiry and order, we require accurate information about the respective door/frame combinations to be used.

AREAS OF APPLICATION

- Main entrance doors
- Exterior doors
- Interior doors
- Side entrance doors
- Entrance doors for flats

SYSTEMS/APPLICATION

- **Material:**
Made of extruded aluminium
- **Fastening method:**
Frame side: clamping blocks;
door side: self-drilling screws
- **Load capacity:**
Max. 120 kg depending on the door/
frame design
- **Adjustability:**
Horizontal adjustment ± 1.5 mm
- **Colours:**
Hinges available in anodised and RAL colours
- **Certificates:**
CE-certified according to EN 1935:2002,
hinge class 13
- **Bearing point, maintenance-free**



Butt hinge for light-weight aluminium doors

 **Dr. Hahn**[®]
HINGES. MADE IN GERMANY.



Dr. Hahn GmbH & Co. KG

Trompeterallee 162-170 · D-41189 Mönchengladbach
Postfach 400109 · D-41181 Mönchengladbach
Phone +49(0)2166/954-3 · E-Mail: sales@dr-hahn.com
www.dr-hahn.eu