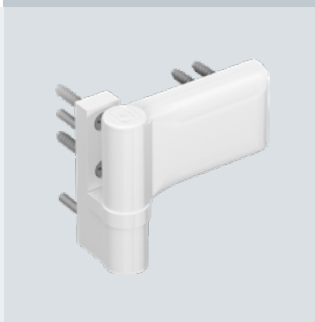
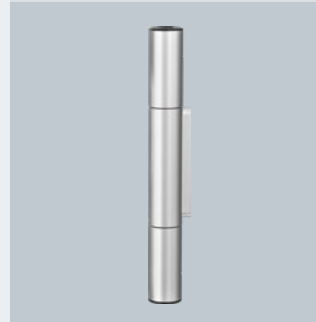
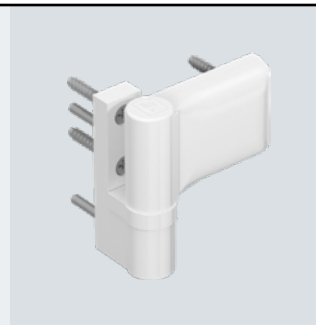




# Hahn Produktkatalog

**F** Catalogue produits

**GB** Product catalogue





## HAHN VL-BAND 180°



### DESCRIPTION

#### CONCEALED HINGE AS AN ARCHITECTS' SOLUTION

The Hahn VL-Band 180° is the first concealed hinge worldwide with an opening angle of 180° with flush fitted aluminium doors. This concealed hinge is very much in demand with architects in project building. It combines the demands for aesthetics, security and durability. The specialty of the VL-Band 180°, is the fact that the doorleaf swings in 2 different pivotal points (1x in the frame/1x in the doorleaf), which in connection either release or lock. For this extremely well-engineered as well as innovative function the VL-Band 180° of 2004 was rewarded with the Innovation prize for Architecture and Building.

- Areas of application:  
Doors made from aluminium profiles, especially in commercial buildings and challenging residential construction
  - Main entrance doors
  - Side entrance doors
  - External door
- Suited for all door-frame systems which open both inward and outward
- Door hinges are largely pre-assembled

### SYSTEM / APPLICATION

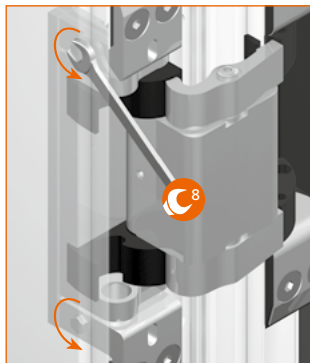
- Material: Made of extruded aluminium
- Fastening method: Anchor screw
- Load capacity: Max. 180 kg depending on profile design
- Adjustability:  
Mounted door leaf adjustable in 4 different directions:
  - Vertical adjustment  $\pm 3$  mm
  - Horizontal adjustment  $\pm 2.5$  mm
- Usable DIN left / DIN right
- Clear width 100%
- Doors open up to 180°

The Hahn VL-Band AL is a system-adapted hinge which was developed in close co-operation with door manufacturers. Different door / frame combinations require special solutions. To help us process your enquiry and order, we require accurate information about the respective door / frame combination to be used.

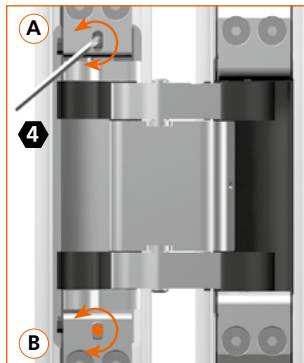


## Notice de réglage Adjustment instructions

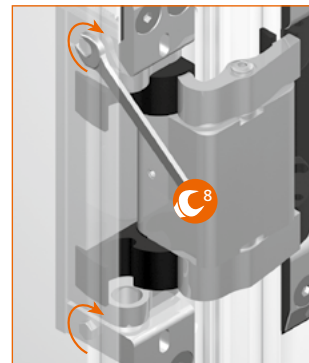
### Horizontalverstellung · Réglage horizontal · Horizontal adjustment



Klemmschrauben lösen.  
Desserrez les vis de blocage.  
Loosen clamping screws.



Verstellung  $\pm 2,5$  mm oben und unten am Band vornehmen.  
Réglage de  $\pm 2,5$  mm à effectuer sur les paumelles du haut et du bas.  
Adjust by moving hinge up or down  $\pm 2.5$  mm.



Klemmschrauben festsetzen.  
Serrez les vis de blocage.  
Tighten clamping screws.

**Wichtig:** Die Verstellung muss an beiden Schrauben (A + B) um den gleichen Betrag erfolgen.

**Beispiel:** Wenn A  $\frac{1}{4}$  Umdrehung, auch B  $\frac{1}{4}$  Umdrehung.

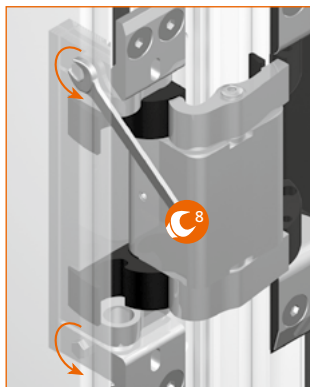
**Important:** Le réglage doit comporter la même valeur pour les deux vis (A+B).

**Exemple:** Si  $\frac{1}{4}$  de tour pour A, effectuez également  $\frac{1}{4}$  de tour pour B.

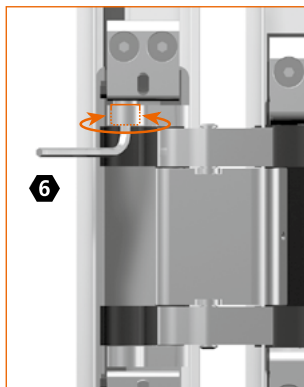
**Important:** The adjustment must be carried for the same amount on both screws (A+B).

**Example:** If A is turned a  $\frac{1}{4}$ , B must also be turned a  $\frac{1}{4}$ .

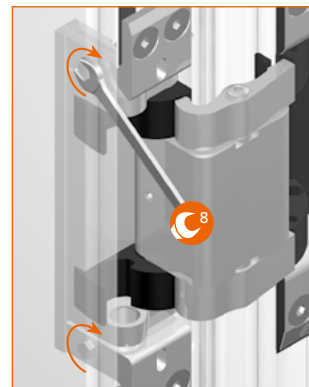
### Höhenverstellung · Réglage vertical · Height adjustment



Klemmschrauben an allen Bändern lösen.  
Desserrez les vis de blocage sur toutes les paumelles.  
Loosen clamping screws on all hinges.



Höhenverstellung am unteren Band vornehmen – obere Bänder nur nachstellen.  
Effectuez le réglage vertical sur la paumelle du bas – ajuster simplement les paumelles du haut.  
Always carry out height adjustment on bottom hinge – only readjust upper hinges.



Klemmschrauben an allen Bändern festsetzen.  
Serrez les vis de blocage sur toutes les paumelles.  
Fix clamping screws on all hinges firmly.



Lagerbuchse aus wartungsfreiem Kunststoff – **keinesfalls schmieren!**

Douille en matière plastique ne requérant aucun entretien – **ne graisser en aucun cas !**

Bearing bushings made of maintenance-free PVC – **do not lubricate!**



Hahn Serie 60 AT



Hahn KT-EV



Hahn VL-Band ST



Hahn Rollenband G



Hahn KT-RV



*Für jede  
Situation  
die passende  
Lösung*



Hahn KT-V 6R



Hahn VL-Band 180



Hahn Rollenband NG



Hahn KT-RN



Hahn Türband 4 AT



Hahn KT-Rollenband NL



Hahn KT-SV



Hahn KT-B 6R



Hahn Türband 4 AT



Hahn KT-N 6R



Hahn Türband 4 HM0



Hahn KT-RKN



Hahn KT-RV



Hahn KT-EN



Hahn Rollenband AT



Hahn Serie 60 AT



Hahn VL-Band AT



Hahn Klemmband



Hahn KT-RKV



Hahn Klemmband



Hahn AT-G



Hahn KT-RN

 **Dr. Hahn**<sup>®</sup>  
TÜRBÄNDER. MADE IN GERMANY.



**Dr. Hahn GmbH & Co. KG**

Trompeterallee 162 – 170 · D-41189 Mönchengladbach  
Postfach 400109 · D-41181 Mönchengladbach  
Phone +49(0)2166 954-3 · E-Mail: sales@dr-hahn.com  
[www.dr-hahn.eu](http://www.dr-hahn.eu)