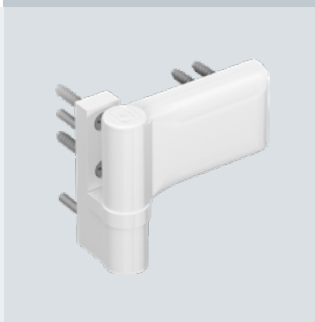
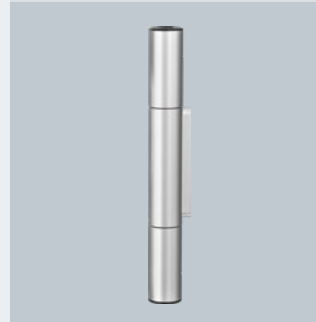
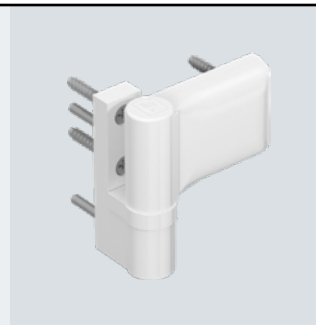




Hahn Produktkatalog

F Catalogue produits

GB Product catalogue





HAHN VL-BAND ST



DESCRIPTION

HAHN VL-BAND ST – THE CONCEALED HINGE FOR STEEL DOORS

The Hahn VL Band ST received the red dot product design award right before it was launched commercially in 2002. The award confirms the high quality of a product's design. According to Design Centre NRW, the design award is "proof of noteworthy creativity and quality" and is a reward for the intensive development work put forth by the door hinge specialist. The reduced form of the Hahn VL Band ST results in elegant details. The door design acquires an expressiveness just like the architectural concept thanks to the clear contours and flush-surface appearance. Aesthetics and function complement each other well. After all, the ambitious planning depends on the quality and stability of the materials used.

- Areas of application:
Doors made of steel sections, especially in commercial buildings and stylish residential buildings
 - Main entrance doors
 - Side entrance doors
 - Exterior doors
- Suited for all door-frame systems which open both inward and outward
- Door hinges are largely pre-assembled

SYSTEM / APPLICATION

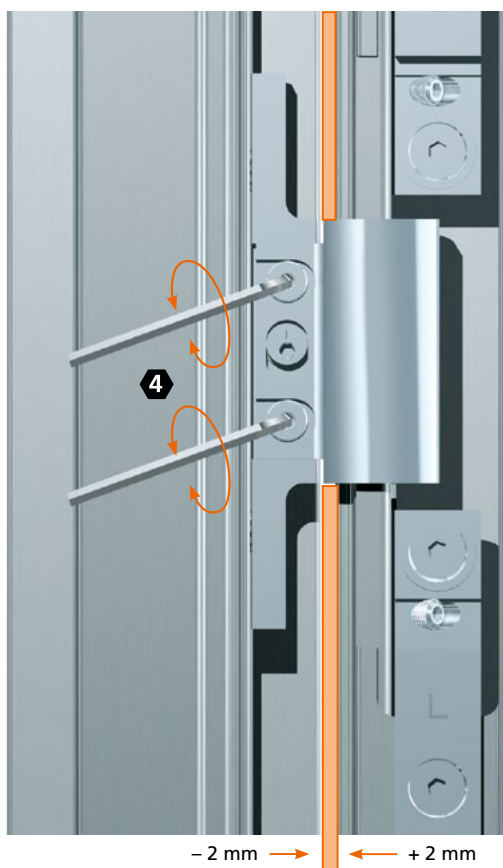
- Material: Made of extruded aluminium
- Fastening method: Adjustable spacer bushings
- Load capacity: Max. 180 kg depending on profile design
- Adjustability: Without raising or removing the door adjustable in 3 directions:
 - Horizontal adjustment ± 2 mm
 - Vertical adjustment +3 mm
- Usable DIN left / DIN right
- Certifications: CE-certified according to EN1935:2002, hinge class 12
- Clear width 100%
- Doors open up to 105°

The Hahn VL-Band ST is a system-adapted hinge which was developed in close co-operation with door manufacturers. Different door/frame combinations require special solutions. To help us process your enquiry and order, we require accurate information about the respective door/frame combination to be used.



Notice de réglage Adjustment instructions

Horizontalverstellung · Réglage horizontal · Horizontal adjustment



Nullstellung
position zéro
Zero position

- 2 mm

+ 2 mm

Zum Verstellen der Schattennut zunächst Befestigungsschrauben 1/4-Umdrehung lösen. Mit Exzenterbolzen (siehe kleine Abb.) kann die Schattennut nun eingerichtet werden.

Achtung: Nach Ausrichtung der Horizontalen Befestigungsschrauben wieder festziehen (Drehmoment mind. 6 Nm, max. 8 Nm).

Um die Schattennut enger zu stellen, Exzenterbolzen nach links drehen. Maximaler Verstellweg aus Nullstellung - 2 mm.

Um die Schattennut weiter zu stellen, Exzenterbolzen nach rechts drehen. Maximaler Verstellweg aus Nullstellung + 2 mm.

Pour régler la rainure, commencez par desserrer les vis de fixation d'un quart de tour. Réglez maintenant la rainure à l'aide axes excentriques (voir petite illustr.).

Attention : Après avoir ajusté à l'horizontal, resserrez les vis à fond (couple min. 6 Nm, max. 8 Nm).

Pour obtenir une rainure plus étroite tournez l'axe excentrique vers la gauche. Plage de réglage maxi. à partir de la position zéro: - 2 mm.

Pour obtenir une rainure plus large tournez l'axe excentrique vers la droite. Plage de réglage maxi. à partir de la position zéro: + 2 mm.

Loosen fastening bolts a quarter of a turn to adjust the shadow groove. Now the shadow groove can be adjusted using eccentric bolt (see small figure).

IMPORTANT: Retighten the fastening bolts again once the horizontals have been adjusted (torque min. 6 Nm, max. 8 Nm).

Turn eccentric bolts to the left to make the shadow groove narrower. Maximum setting range from zero position - 2 mm.

Turn eccentric bolts to the right to make the shadow groove wider. Maximum setting range from zero position + 2 mm.



Notice de réglage Adjustment instructions

Höhenverstellung · Réglage vertical · Height adjustment



Zum Ausrichten des Türflügels in der Höhe Höhenverstellungsschraube um das entsprechende Maß drehen. Maximaler Verstellweg + 3 mm.

Hinweis:

Bei Flügelgewichten über 150 kg ist die Tür zu entlasten.

Achtung:

Unteres Band soll tragen, obere Bänder nur nachstellen.

Pour régler le battant de porte en hauteur, vissez la vis de réglage vertical tant que nécessaire. Déplacement maximum : + 3 mm.

Remarque :

pour les battants d'un poids supérieur à 150 kg, réduire la charge exercée sur la porte.

Attention :

La paumelle basse doit porter, ajustez uniquement les paumelles hautes.

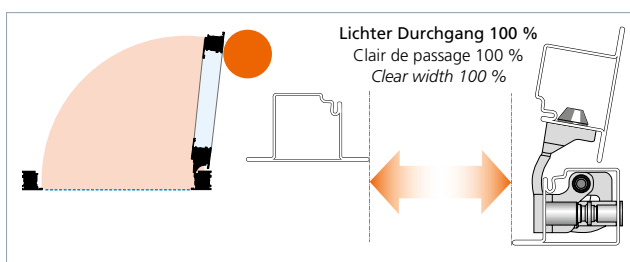
Turn vertical adjustment screw as necessary to adjust the door in terms of height. Maximum setting range + 3 mm.

NOTE:

With doors weighing over 150 kg, it is necessary to reduce the load of the door.

Important:

Lower hinge should bear weight, only adjust the upper hinges.



Öffnungsbegrenzung zwingend erforderlich. Fehlende Öffnungsbegrenzung führt zur Zerstörung des Türelementes.

Limiteur d'ouverture absolument nécessaire. L'absence de limiteur d'ouverture conduit à la destruction de l'élément.

Opening limitation absolutely necessary. A failing limitation can lead to a damaging of the door panel.



Lagerbuchse aus wartungsfreiem Kunststoff – **keinesfalls schmieren!**

Douille en matière plastique ne requérant aucun entretien – **ne graisser en aucun cas !**

Bearing bushings made of maintenance-free PVC – **do not lubricate!**



Hahn Serie 60 AT



Hahn KT-EV



Hahn VL-Band ST



Hahn Rollenband G



Hahn KT-RV



*Für jede
Situation
die passende
Lösung*



Hahn KT-V 6R



Hahn VL-Band 180



Hahn Rollenband NG



Hahn KT-RN



Hahn Türband 4 AT



Hahn KT-Rollenband NL



Hahn KT-SV



Hahn KT-B 6R



Hahn Türband 4 AT



Hahn KT-N 6R



Hahn Türband 4 HM0



Hahn KT-RKN



Hahn KT-RV



Hahn KT-EN



Hahn Rollenband AT



Hahn Serie 60 AT



Hahn VL-Band AT



Hahn Klemmband



Hahn KT-RKV



Hahn Klemmband



Hahn AT-G



Hahn KT-RN

 **Dr. Hahn**[®]
TÜRBÄNDER. MADE IN GERMANY.



Dr. Hahn GmbH & Co. KG

Trompeterallee 162-170 · D-41189 Mönchengladbach
Postfach 400109 · D-41181 Mönchengladbach
Phone +49(0)2166 954-3 · E-Mail: sales@dr-hahn.com
www.dr-hahn.eu